

# VPG 60

## DIFFERENTIAL PRESSURE INDICATOR



**20 to 2000 mbar(a)**  
operating pressure

**1,5 to 65 °C**  
operating temperature range



**VPG 60**  
Basic version

**VPG 60 E**  
Electronic version  
with LED alarm

**VPG 60 C**  
Voltage free contact version  
for remote alarm

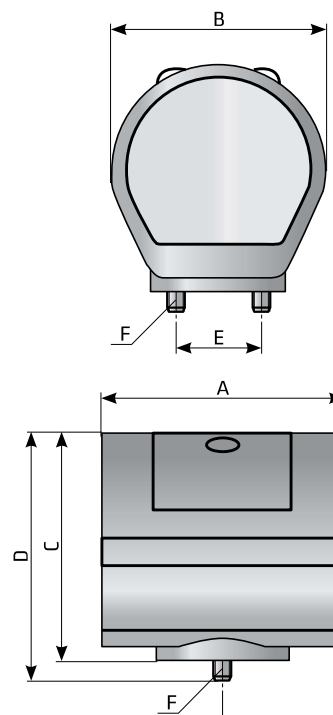
### DESCRIPTION

Magnetic differential manometer VPG 60 has been developed to indicate pressure drop across the filter element in vacuum system. It detects when the filter cartridge is clogged and should be replaced. VPG 60 is typically installed on the head of the filter housing.

For any other technical gas please contact us or your local distributor.

VPG 60 can be used in variety of applications. For applications not listed please contact us or your local dealer.

TECHNICAL DATA	
operating pressure range	20 - 2000 mbar(a) (0,29 - 29 psi(a))
operating temperature range	1,5 - 65 °C (35 - 149 °F)
mass	0,15 kg
measuring range	0,09 bar (0,0013 psi)
DIMENSIONS	
A	72 mm
B	64 mm
C	68 mm
D	74 mm
E	24 mm
F	M5
TYPES	
VPG 60	basic version
VPG 60E	electronic version (battery) with LED alarm light
VPG 60C	voltage-free contact version for remote alarm



### APPLICATIONS

- Automotive
- Electronics
- Food and beverage
- Chemical
- Petrochemical
- Plastics
- Paint
- General industrial application