

MDP 60

DIFFERENTIAL PRESSURE INDICATOR



16 bar
operating pressure

1,5 to 65 °C
operating temperature range

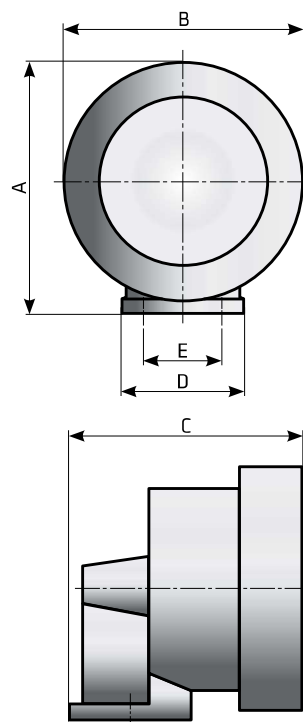


DESCRIPTION

Pressure drop indicator MDP 60 is designed for accurate indication of pressure drop across the filter element in compressed air system. For any other technical gas please contact producer or your local distributor.

MDP 60 is optimized for installation on the head of the filter housing.

MDP 60 can be used in variety of applications. For applications not listed please contact producer or your local distributor.



TECHNICAL DATA

operating pressure range	16 bar (232 psi)
operating temperature range	1,5 - 65 °C (35 - 149 °F)
mass	0,15 kg
measuring range	2 bar (29 psi)

DIMENSIONS

A	84 mm
B	80 mm
C	78 mm
D	ø40 mm
E	24 mm

APPLICATIONS

- Automotive
- Electronics
- Food and beverage
- Chemical
- Petrochemical
- Plastics
- Paint
- General industrial application