



R-DRY BP SERIES

COOLING WITH PURGE

4 to 11 bar
operating pressure

1,5 to 42,5 °C
inlet air temperature range

-40 °C
pressure dew points

390 to 20.200 Nm³/h
flow rate

2-3 %
avg. comp. air consumption

DESCRIPTION

R-DRY BP 400-20000 adsorption dryers are designed for continuous separation of water vapour from compressed air thus lowering the dew point.

R-DRY BP dryers have two columns that operate alternately. Adsorption takes place under pressure in the first column while the second column regenerates (heated ambient air for desorption + expanded dry compressed air purge for cooling). BP type of dryer is suitable for applications where low PDP is required at hotter and more humid ambient conditions and where compressed air can be utilised for cooling.

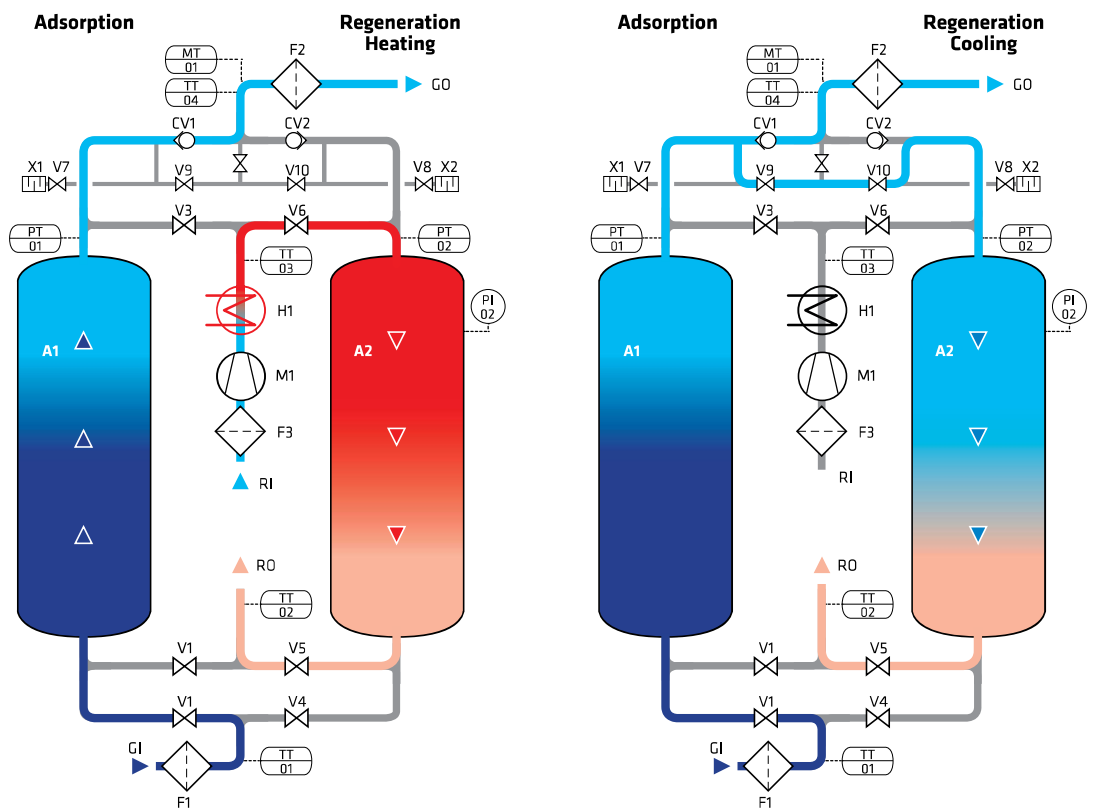
A dryer consists of two columns, filled with desiccant beads, a blower, heater, controller with an LCD display, valves, manometers, and a support construction. A proven and robust design enables efficient and reliable operation, fast installation and simple maintenance.

APPLICATIONS

- Compressed air systems



- A1-2 pressure vessel
- F1 inlet filter (super fine coalescing)
- F2 outlet filter (dust)
- V1-6 ball valve with pneumatic actuator
- V7-10 angle seated valve with pneumatic actuator
- CV1-2 check valve
- TT1-4 temperature transducer
- PI1-2 pressure indicator
- PT1-2 pressure transducer
- DT1 dew point transducer
- M1 blower
- H1 heater
- F3 regeneration air filter
- GI air inlet
- GO air outlet
- RI regeneration air inlet
- RO regeneration air outlet
- EST-2 expansion silencer




TECHNICAL DATA

Type	Connection IN/OUT ⁽²⁾	Nominal volume flow	Dimensions			Mass kg	Blower power kW	Heater power kW	Filter type
		Inlet ⁽¹⁾							
	DN	[Nm ³ /h]	A [mm]	B [mm]	C [mm]				
R-DRY 400 BP	DN50	390	1.200	850	2.250	1.000	1,3	3,5	AF 0476
R-DRY 600 BP	DN50	590	1.500	900	2.350	1.400	1,6	5,5	AF 0706
R-DRY 780 BP	DN50	780	1.750	1.000	2.450	1.800	1,6	7	AF 0706
R-DRY 1000 BP	DN50	930	1.750	1.250	2.450	1.900	1,6	8	AF 0946
R-DRY 1200 BP	DN80	1.150	1.900	1.100	2.450	2.200	1,6	10	AF 1506
R-DRY 1600 BP	DN80	1.600	1.900	1.350	2.500	2.600	4	14	AF 1756
R-DRY 2000 BP	DN100	1.950	2.200	1.150	2.600	3.400	4	17	AF 2006
R-DRY 2500 BP	DN100	2.530	2.350	1.150	2.750	3.800	7,5	22	AF 2406
R-DRY 3000 BP	DN100	2.990	2.500	1.150	2.750	4.000	8,5	26	BF 300
R-DRY 3600 BP	DN100	3.680	2.800	1.350	2.850	4.800	8,5	32	BF 450
R-DRY 4100 BP	DN125	4.100	3.000	1.350	2.850	5.100	8,5	35	BF 450
R-DRY 5000 BP	DN125	4.990	3.200	1.450	2.950	5.900	15	45	BF 600
R-DRY 6500 BP	DN150	6.550	3.520	1.750	3.050	7.200	15	56	BF 900
R-DRY 7700 BP	DN150	7.700	3.700	2.000	3.100	7.900	15	70	BF 900
R-DRY 10000 BP	DN200	10.250	4.300	2.200	3.550	12.000	22	95	BF 1200
R-DRY 12000 BP	DN200	11.700	4.400	2.500	3.550	14.200	-	-	BF 1200
R-DRY 14000 BP	DN200	14.800	4.800	2.600	3.650	16.800	-	-	BF 1500
R-DRY 16000 BP	DN250	16.000	5.000	3.200	3.650	18.500	-	-	BF 1800
R-DRY 18000 BP	DN250	18.200	5.200	3.500	4.200	20.000	-	-	BF 1800
R-DRY 20000 BP	DN250	20.200	6.000	3.500	4.350	23.000	-	-	BF 2500

OPERATING PRESSURE - CORRECTION FACTORS - C_{op}

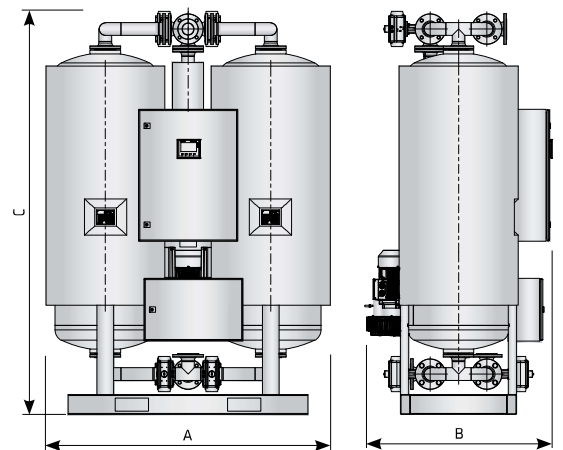
Operating pressure [bar]	4	5	6	7	8	9	10	11
Operating pressure [psi]	58	72	87	100	115	130	145	160
Correction factor C _{op}	0,63	0,75	0,88	1	1,13	1,25	1,38	1,50

OPERATING TEMPERATURE - CORRECTION FACTORS - C_{ot}

Operating temperature [°C]	25	30	35	40	42,5
Operating temperature [F]	77	86	95	104	108
Correction factor C _{ot}	1	1	1	0,7	0,52

⁽¹⁾ Refers to 1 bar(a) and 20 °C at 7 bar operating pressure, inlet temperature 35 °C and pressure dew point at outlet -40 °C

⁽²⁾ Refers to dryer inlet and outlet connection without filters



Protection class	IP 54
Filter (inlet)	super fine - 0,01 µm
Filter (outlet)	dust filter; 1 µm
Column insulation	optional
Blower suction conditions	Max 50 °C, 35 % RH