



4 to 16 bar
operating pressure

1,5 to 50 °C
inlet air temperature range

-40 °C (-25 °C / -70 °C)
pressure dew points

6 to 200 Nm³/h
flow rate

RAL 5012
standard colour

15-20 %
avg. comp. air consumption

DESCRIPTION

A-DRY 6-200 TAC desiccant adsorption dryers with integrated activated carbon tower are designed to achieve low pressure dew point as well as to remove oil vapours and odours from the compressed air. A-DRY is a range of products offering our customers a wide array of dried air solutions with volumetric flow rates ranging from 6 Nm³/h to 200 Nm³/h.

An innovative design of A-DRY TAC adsorption driers, developed with consideration of our customers, enables fast and reliable installation, use and servicing. Installation is simple with our ready to use controller while minimising the number of parts and motions required for assembly and disassembly makes servicing fast and reliable.

A-DRY TAC has integrated activated carbon tower, which is developed for separating oil vapours from compressed air (dry type separation).

APPLICATIONS

- Compressed air systems

A-DRY TAC SERIES

ADSORPTION COMPRESSED AIR DRYERS WITH ACTIVATED CARBON TOWER



ADVANTAGES

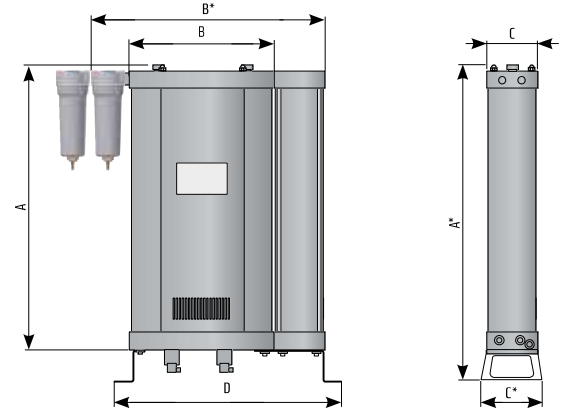
- ✓ Wide range of products to fit your need.
- ✓ Robust and intuitive ready to use controller.
- ✓ Simple assembly and disassembly.
- ✓ Fast and reliable servicing.
- ✓ Adsorbent in cartridges.
- ✓ Standard version includes coalescing prefilter and particle afterfilter.



TECHNICAL DATA

Type	Connection IN/OUT	Nominal volume flow		Dimensions							Mass kg
		Inlet ¹	Outlet ²	A [mm]	A* [mm]	B [mm]	B* [mm]	C [mm]	C* [mm]	D [mm]	
	"	[Nm ³ /h]	[Nm ³ /h]								
A-DRY 06 TAC	G3/8"	6	4,7	339	520	280	467	100	130	444	10,5
A-DRY 12 TAC	G3/8"	12	9,5	573	715	280	467	100	130	444	13,5
A-DRY 24 TAC	G3/8"	24	19,0	1041	1105	280	467	100	130	444	19,0
A-DRY 36 TAC	G3/8"	36	28,4	1509	1495	280	467	100	130	444	27,5
A-DRY 60 TAC	G3/4"	60	47,4	972	1105	370	607	148	170	573	45,0
A-DRY 75 TAC	G3/4"	75	59,3	1167	1300	370	607	148	170	573	53,0
A-DRY 105 TAC	G3/4"	117	83	1567	1700	370	607	148	170	573	70,0
A-DRY 150 TAC	G1"	150	118	1345	1440	440	948	198	240	933	170,5
A-DRY 200 TAC	G1"	200	158	1538	1655	440	948	198	240	933	182,2

Operating pressure range	4 to 16 bar(g)
Operating temperature range	+1,5 °C to +50 °C
Pressure dew points	-25 °C / -40 °C / -70 °C
Voltage, frequency	230V, 50/60 Hz
Power consumption	<35 W
Protection class	IP 65
Filter (inlet)*	super fine; 0,01 µm
Filter (outlet)	dust filter; 1 µm



⁽¹⁾ Refers to 1 bar(a) and 20 °C at 7 bar operating pressure, inlet temperature 35 °C and pressure dew point at outlet -40 °C.
⁽²⁾ Outlet flow refers to typical assumption during regeneration phase for operating at nominal inlet flow conditions. Outlet flow includes average air losses of approximately 17,3 %.

* If dryer is supplied without inlet filter compressed air class 1 (ISO 8753-1) for solid particles and oil should be provided to the inlet of the dryer.

CORRECTION FACTORS - F1													
Operating pressure [bar]	4	5	6	7	8	9	10	11	12	13	14	15	16
Operating pressure [psi]	58	72	87	100	115	130	145	160	174	189	203	218	232
Correction factor	0,63	0,75	0,88	1	1,13	1,25	1,38	1,50	1,63	1,75	1,88	2,00	2,13

CORRECTION FACTORS - F2							DEW POINT			
Inlet temperature [°C]	25	30	35	40	45	50	[°C]	-25	-40	-70
Correction factor	1,00	1,00	1,00	0,97	0,87	0,80	C ₀	1,1	1	0,7