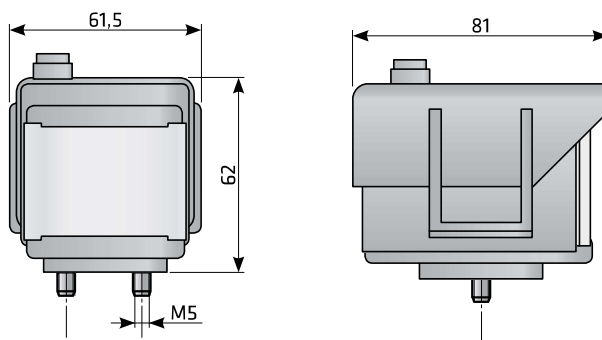


EPG 60

ELECTRONIC PRESSURE GAUGE



16 bar
operating pressure

1,5 to 40 °C
operating temperature range

DESCRIPTION

The EPG 60 is electronic pressure gauge designed for monitoring of filter cartridge condition.

Filter cartridge condition is estimated from pressure drop, working hours, total hours or their combination. A change filter cartridge warning is issued when these parameters approach their limiting values.

An optional Alarm/ Warning output and Service Network Protocol for remote surveillance available.

EPG 60 is battery operated. Low power consumption allows long intervals between battery replacements.

TECHNICAL DATA

TYPE		EPG-SN	EPG	EPG 4-20mA
Service network connection possible		Yes	No	No
System pressure range		16 bar (232 psi)		
Differential pressure range		0,07 bar - 1,00 bar (1.0 psi - 14.5 psi)		
Max. differential pressure		1 bar, 14,7 psi		
Operating temperature	Ambient	1,5 °C - 40 °C (34,7 °F - 104 °F)		
	Compressed air	1,5 °C - 65 °C (34,7 °F - 149 °F)		
Mass		130 g (without batteries)		
Materials		PAG, glass fibres, NBR (sealing)		
Battery life time		>1 year (alkaline AA)		
Output signal		No	No	4-20 mA

APPLICATIONS

- Automotive
- Electronics
- Food and beverage
- Chemical
- Petrochemical
- Plastics
- Paint
- General industrial application