

# CDI 16B SERIES

## ELECTRONIC CONDENSATE DRAIN

operating pressure	<b>16 bar</b>
drain capacity	<b>45 l/h</b>
connections	<b>1/2"</b>
operating temp. range	<b>1,5 to 65 °C</b>

### APPLICATIONS

- air compressor (piston or screw)
- after-cooler
- cyclone condensate separator
- pressure vessel/air tank
- air dryer
- air filter

### DESCRIPTION

CDi16B is designed for fully automatic discharging of condensate or any other non-aggressive fluid from compressed air system. The unit can be installed as external drain on any application specified below.

Condensate accumulates in the collecting vessel and when the level is high enough condensate is being discharged from the system without any air losses. Electronic control system has a precise capacitive level sensor through which is controlled solenoid piston valve.

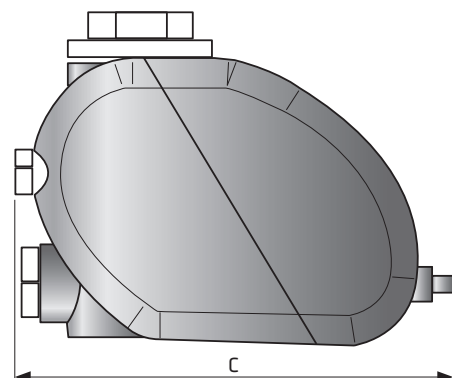
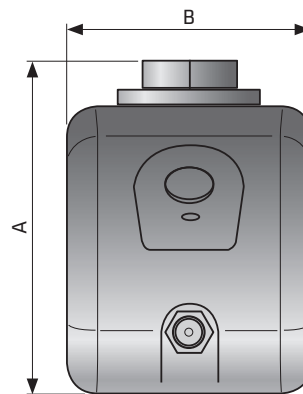
A special self-cleaning piston valve prevents disturbing the function of CDi16B caused by debris. CDi16B is also equipped with operation alarm, led indicator and test button.





**TECHNICAL DATA**

Voltage	115 VAC	115 V ± 10 %
	230 VAC	230 V ± 10 %
Power	115 VAC	24 VA
	230 VAC	24 VA
Frequency		50-60 Hz
Operating pressure		0-16 bar(g) (0 - 232 psi)
Drain capacity (at 7 bar/101 psi)		45 l/h (0,0235 scfm)
Operating temperature range		1,5 - 65 °C (35-149 °F)
Inlet connection		R 1/2"
Outlet connection		R 1/8"
Power interface		3 × 0,75 mm <sup>2</sup>
Protection class		IP54
Mass [kg]		0,95
Dimensions A × B × C [mm]		115 × 85 × 165
Peak compressor performance [m <sup>3</sup> /min]	a	34,8
	b	27,9
	c	17,4
Peak dryer performance [m <sup>3</sup> /min]	a	69,6
	b	55,8
	c	34,8
Peak filter performance [m <sup>3</sup> /min]	a	348
	b	279
	c	174
Compressor motor power [kW]		up to 90



Please take the relevant climate zone into account when dimensioning your specific ECD-B drain series application:

- a Northern Europe, Canada, Northern USA, Central Asia
- b Central and Southern Europe, Central America
- c South East Asian coastal regions, Oceania, Amazon and Congo regions